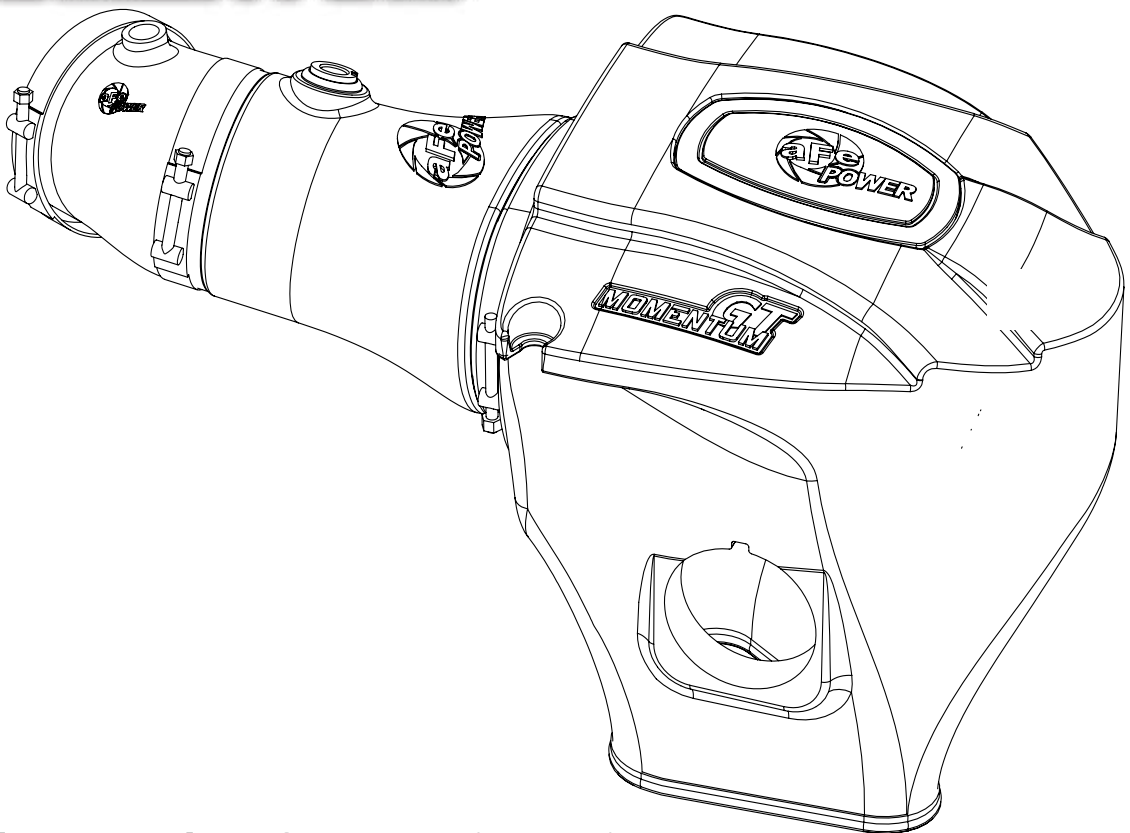


GT
MOMENTUM™



advanced FLOW engineering Momentum GT Cold Air Intake System

Instruction Manual P/N: 52-72205 / 51-72205 / 54-72205

Make: **Dodge** Model: **Challenger SRT Hellcat** Year: **2017-2018** Engine: **V8-6.2L (sc) HEMI**
Make: **Dodge** Model: **Charger SRT Hellcat** Year: **2017-2018** Engine: **V8-6.2L (sc) HEMI**



- Please read the entire instruction manual before proceeding.
- Ensure all components listed are present.
- If you are missing any of the components, call customer support at 951-493-7100.
- Ensure you have all necessary tools before proceeding.
- Do not attempt to work on your vehicle when the engine is hot.
- Disconnect the negative battery terminal before proceeding.
- Retain factory parts for future use.

Label	Qty.	Description	Part Number
A1	1	Air Filter (Pro DRY S)	21-91101
A2	1	Air Filter (Pro 5R)	24-91101
B	1	Tube	05-72205B1
C	1	Housing	05-72201B2
D	1	Clamp, T-Bolt (4-7/16"-4-3/4")	03-50319
E	1	Clamp, T-Bolt (4-1/8"-4-1/2")	03-50262
F	1	Seal Trim 7/16" (21" in.)	05-00072
G	1	Coupling, Silicone	05-01352
H	1	Grommet, Rubber	03-50167
I	1	Fitting, Air Temp Sensor	05-01454

Tools needed: Tools needed: 8mm and 10mm nut driver or socket, flat screw driver, and T20 torx driver.

Warranty Information available at: <https://afepower.com/contact#warranty>

Note: Legal in California for use on race vehicles only. The use of this device on vehicles used on public streets or highways is strictly prohibited in California and others states that have adopted California emission regulations.

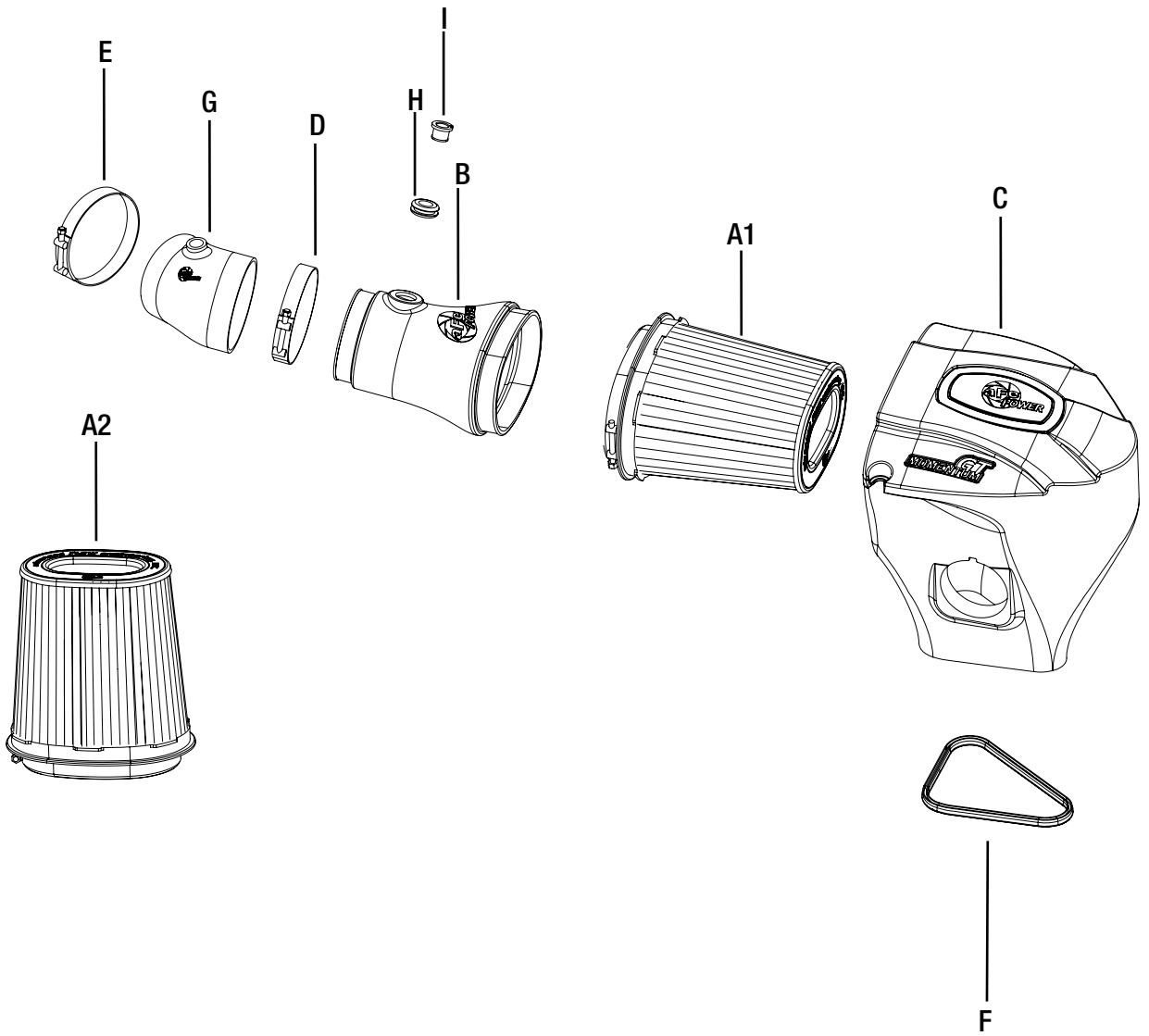




Figure A

Refer to Figure A for Steps 1-4

- Step 1: Disconnect the Temperature sensor and breather fitting.
- Step 2: Remove bolt securing the housing.
- Step 3: Untighten clamp at the throttle body.
- Step 4: For Challenger vehicle, pull the housing assembly as one piece outside of the vehicle.

REMOVAL



Figure B

Refer to Figure B for Step 5

Step 5: For Charger, open the housing and remove the factory filter. Then disconnect the inlet duct and pull the bottom part of the housing outside of the vehicle. (The inlet duct is not removable)

**Figure C****Refer to Figure C for Steps 6-9**

Step 6: Transfer the grommet from the factory air box to the aFe housing.

Step 7: Install trim seal at the bottom edge of the aFe housing.

Step 8: Decide if you want to use the dry or oiled filters. Slide the selected filters inside the aFe housings until they lock in place. Install clamp on filter end but, do not tighten at this time.

Step 9: For Challenger vehicle only, transfer the inlet duct to the aFe housing.



Figure D

Refer to Figure D for Steps 10-11

Step 10: Make sure factory grommet is installed correctly into hole.

Step 11: Install aFe housing assembly into vehicle. For Charger only, re-connect factory inlet duct while installing the housing in.

**Figure E****Refer to Figure E for Step 12**

Step 12: Remove the temperature sensor from factory housing. Install the provided grommet into the hole on the aFe tube then press in the aluminum fitting. Secure the temperature sensor into the aluminum fitting by turning clockwise.



Figure F

Refer to Figure F for Step 13

Step 13: Install the coupling over the throttle body with the clamp. Do not tighten yet. Make sure it's oriented correctly.

**Figure G****Refer to Figure G for Steps 14-18**

Step 14: Install the aFe tube by sliding it first into the filter then into the coupling.

Step 15: Make sure everything is aligned correctly, then tighten all clamps.

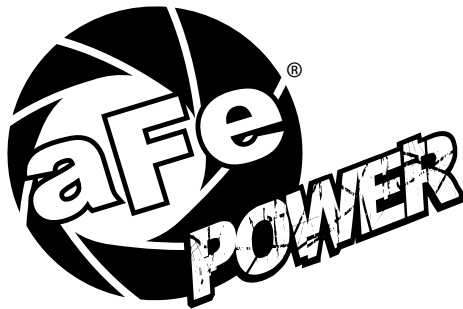
Step 16: Reconnect the breather fitting by pushing it firmly into the coupling.

Step 17: Re-install the bolt removed at step 2 to secure the housing.

Step 18: Reconnect the temperature sensor. Your installation is now complete.

NOTE: Check all clamps and connectors after 200 miles.

PAGE LEFT BLANK INTENTIONALLY



advanced FLOW engineering, inc.
252 Granite Street Corona, CA 92879
TEL: 951.493.7100 • TECH: 951.493.7134
E-Mail: Tech@aFepower.com