

advanced FLOW engineering

Magnum Force Stage-2 Cold Air Intake System

Instruction Manual P/N: 51-12852 / 54-12852

Make: **Dodge** Model: **Challenger SRT Hellcat** Year: **2017-2018** Engine: **V8-6.2L (sc) HEMI**

Make: **Dodge** Model: **Charger SRT Hellcat** Year: **2017-2018** Engine: **V8-6.2L (sc) HEMI**

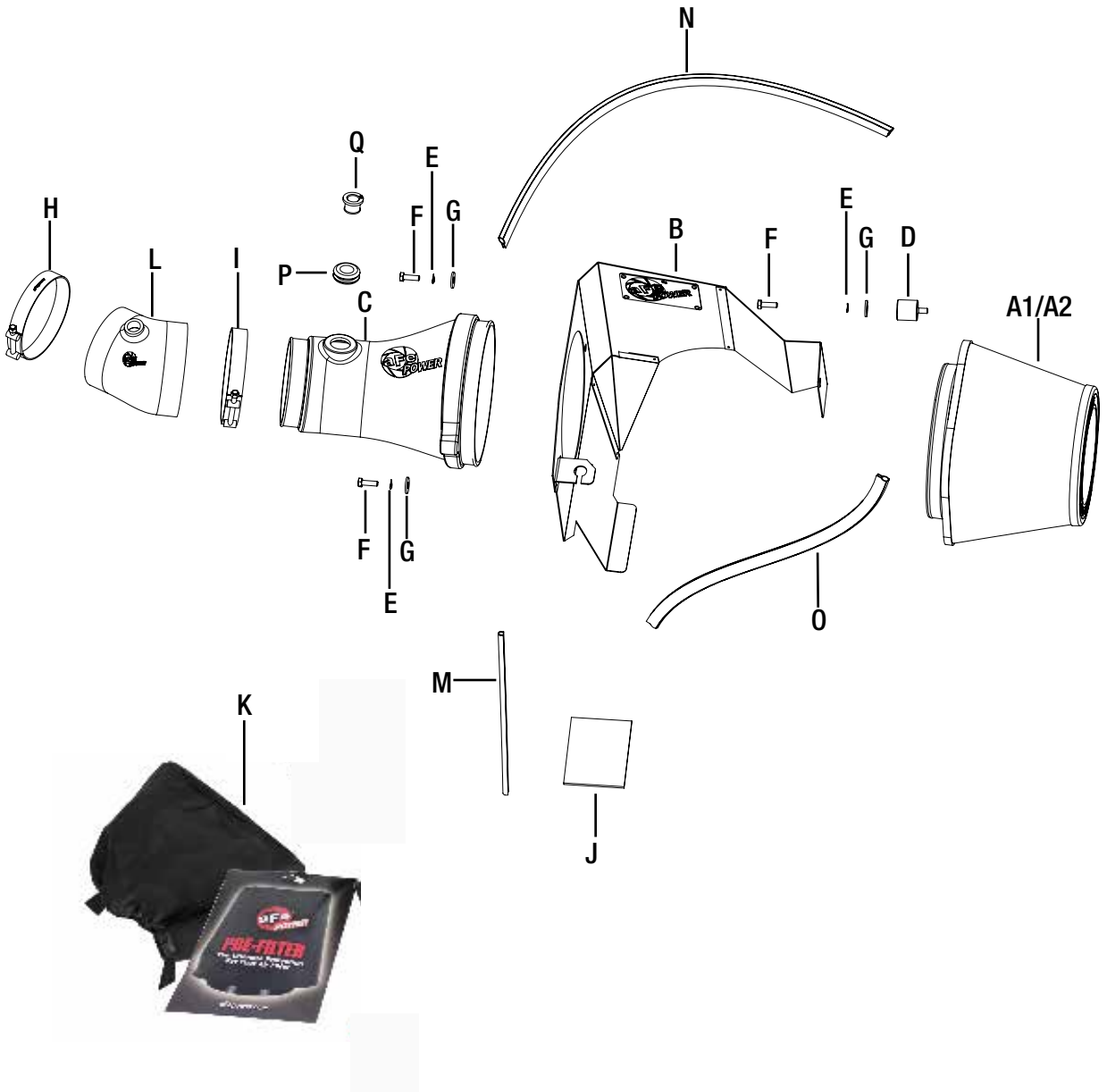


- Please read the entire instruction manual before proceeding.
- Ensure all components listed are present.
- If you are missing any of the components, call customer support at 951-493-7100.
- Ensure you have all necessary tools before proceeding.
- Do not attempt to work on your vehicle when the engine is hot.
- Disconnect the negative battery terminal before proceeding.
- Retain factory parts for future use.

Label	Qty.	Description	Part Number
A1	1	Pro DRY S Air Filter	21-91068 (Gray Media)
A2	1	Pro 5R Air Filter	24-91068 (Blue Media)
B	1	Housing	05-12802B2
C	1	Tube	05-12852B1
D	1	Male / Female Isolation Mount	03-50206
E	3	Washer, Lock	03-50071
F	3	Screw Hex	03-50052
G	3	Washer, Flat	03-50070
H	1	Clamp, T-Bolt (4-1/8" - 4-1/2")	03-50262
I	1	Clamp, T-Bolt (4-7/16" - 4-3/4")	03-50319
J	1	Isolation Pad	03-50196
K	1	Pre-Filter	28-10243
L	1	Coupling, Silicone	05-01352
M	1	Trim, Rubber Edge (13" in.)	05-00149
N	1	Seal, Trim (25" in.)	05-00072
O	1	Seal, Trim (17" in.)	05-00072
P	1	Grommet, Rubber	03-50167
Q	1	Fitting, Air Temp. Sensor	05-01454

Warranty Information available at: <https://afepower.com/contact#warranty>

Note: Legal in California for use on race vehicles only. The use of this device on vehicles used on public streets or highways is strictly prohibited in California and others states that have adopted California emission regulations.





Refer to Figure A for Steps 1-4

Step 1: Disconnect the temperature sensor and breather fitting.

Step 2: Remove bolt securing the housing.

Step 3: Loosen clamp at the throttle body.

Step 4: For Challenger models, pull the housing assembly as one piece outside of the vehicle.



Refer to Figure B for Step 5

Step 5: For Charger models, open the housing and remove the factory filter. Then disconnect the inlet duct and pull the bottom part of the housing outside of the vehicle. (The inlet duct is not removable)



REMOVAL

Figure C

Refer to Figure C for Steps 6-7

Step 6: Remove the 10 mm bolt from the fender side and install the furnished isolation mount in the hole.

Step 7: Remove the factory grommet from the hole.



Figure D

Refer to Figure D for Steps 8-10

Step 8: Transfer the grommet from the factory air box to the aFe housing.

Step 9: Install the furnished seal trim onto the outer edge of the aFe housing and install foam pad where housing rests.

Step 10: Install the aFe housing into the vehicle and secure it with the factory screw and the furnished screw, washer and lock washer onto the isolation mount.



Figure E

Refer to Figure E for Step 11

Step 11: Remove the temperature sensor from factory housing. Install the provided grommet into the hole on the aFe tube then press in it the aluminum fitting. Secure the temperature sensor into the aluminum fitting by turning clockwise.



Figure F

Refer to Figure F for Steps 12-14

Step 12: Install the coupling and clamps over the throttle body. Do not tighten yet.

Step 13: Slide the tube through the housing then into the coupling.

Step 14: Align the coupling, tube and housing, then secure the tube to the housing using the furnished screws, washers and lock washers.

**Figure G****Refer to Figure G for Steps 15-18**

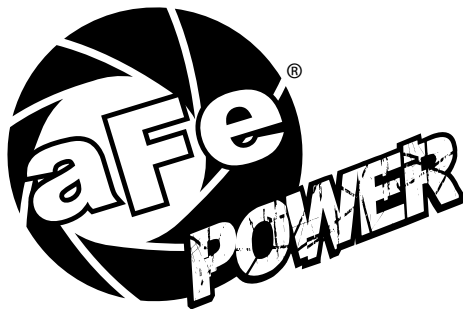
Step 15: Tighten the clamps on the coupling.

Step 16: Reconnect the breather fitting by pushing it firmly into the coupling.

Step 17: Reconnect the temperature sensor harness.

Step 18: Install the filter onto the tube and tighten the clamp. A pre-filter is included in each kit to protect from water if necessary. Also a rain shield is available and sold separately to protect the filter from water coming down the hood opening. Your installation is now complete!

Page left blank intentionally



advanced FLOW engineering, inc.
252 Granite Street Corona, CA 92879
TEL: 951.493.7155 • TECH: 951.493.7100
E-Mail: Tech@aFepower.com