



FULL SCREEN OE-STYLE RADIO UPGRADE WITH NAVIGATION

(2015-2021 MUSTANG)

INSTALLATION INSTRUCTIONS

CONTENTS

- (1) Full Screen OE-Style Radio
- (1) Main Harness Adapter
- (1) 8P USB Harness
- (1) Audio Output
- (1) 56Pin Reverse Cam Converter (w/ factory 7" screen)
- (1) 12P Reverse Camera Converter
- (1) RCA Audio Output
- (1) Camera Input
- (1) DVR Inputs
- (1) Auxiliary In
- (1) 10P USB Line
- (1) Radio Antenna Adapter
- (1) USB Line
- (1) Wi-Fi Antenna
- (1) GPS Antenna
- (1) Microphone
- (1) Canbus

TOOLS REQUIRED

- Panel Removal Tool
- 7mm Socket
- Socket Wrench
- Flat Blade Screwdriver

SKU # 415273



STEP 1

Using a soft pry tool, remove the plastic trim to the right of the glove box.



STEP 2

Firmly pull the trim away from the dashboard, starting at the passenger side. Do not twist the panel while removing. Pull away until the trim is completely removed from the dashboard.

Note: Vehicle's with gauges next to the air vents must unplug the electrical connector prior to pulling the trim completely from the dashboard.



STEP 3

Using a flat blade screwdriver, pry the plastic rectangle from the dashboard. Remove the (2) 7mm screws securing the bottom of the radio to the vehicle.



STEP 4

Remove (2) 7mm screws securing the top of the radio to the vehicle.



STEP 5

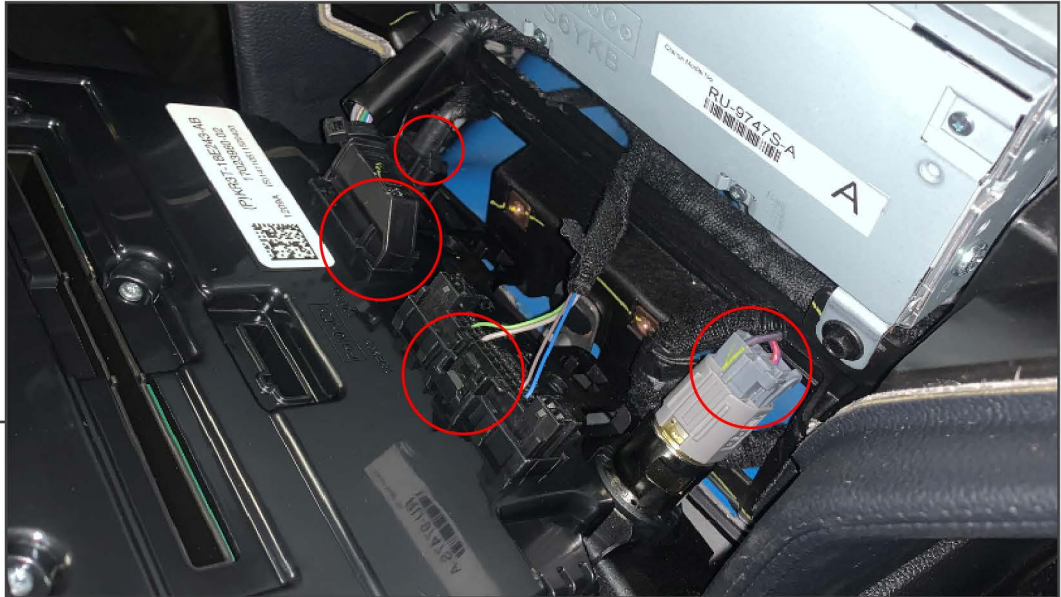
Using a panel removal tool, stick the tool down the side of the radio. Pry on the tool while pulling the radio to release the clips securing the radio to the vehicle. Repeat the procedure to the opposite side of the radio.



STEP 6

With the top of the radio released, begin to release the bottom of the radio. While pressing down on the storage area below the USB port, begin to pull the radio out and up. Once the left side is released, repeat the procedure to the right side.

Note: This step can be tricky, be patient and take your time with removal.



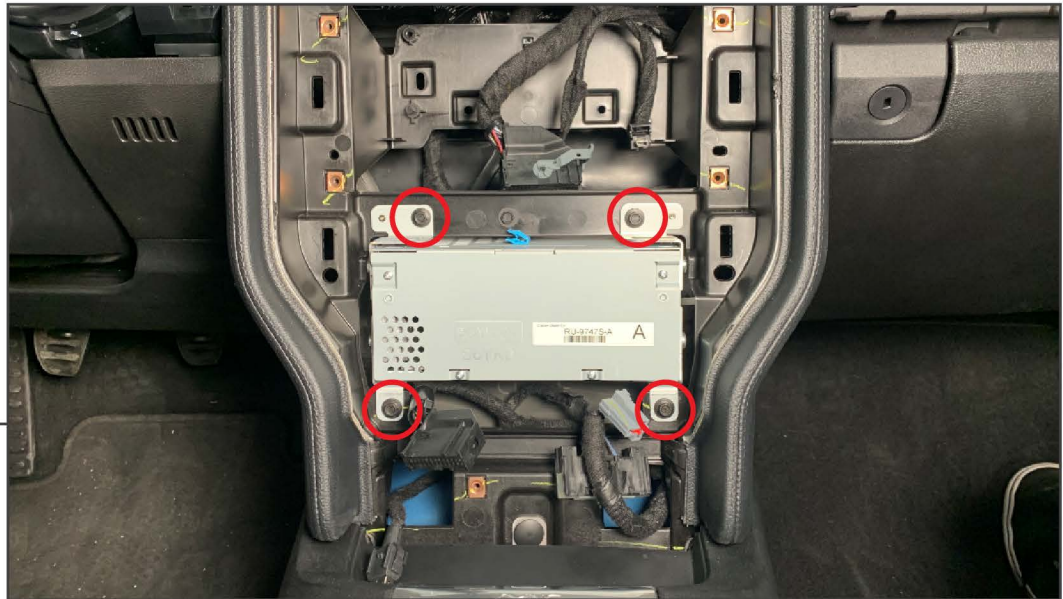
STEP 7

Tilt the radio forward and unplug the (4) electrical connectors.



STEP 8

Remove the (4) 7mm screws securing the screen to the dashboard. Pull the screen outward and disconnect the (3) electrical connectors from behind the screen. Remove the screen from the vehicle.



STEP 9

Remove the (4) 7mm screws from the radio module. Disconnect the (3) electrical connectors from behind the module. Remove the module from the vehicle.



STEP 10

Identify the supplied wiring harnesses. Follow the provided diagram to identify and utilize each necessary harness. See last page for wiring diagram.

- | | |
|---------------------------------|---|
| 1. Main Harness Adapter | 2. 8P USB Harness |
| 3. Audio Output | 4. 56Pin Reverse Cam Converter (w/ factory 7" screen) |
| 5. 12P Reverse Camera Converter | 6. RCA Audio Output |
| 7. Camera Input | 8. DVR Inputs |
| 9. Auxiliary In | 10. 10P USB Line |
| 11. Radio Antenna Adapter | 12. USB Line |
| 13. Wi-Fi Antenna | 14. GPS Antenna |
| 15. Microphone | 16. Canbus |

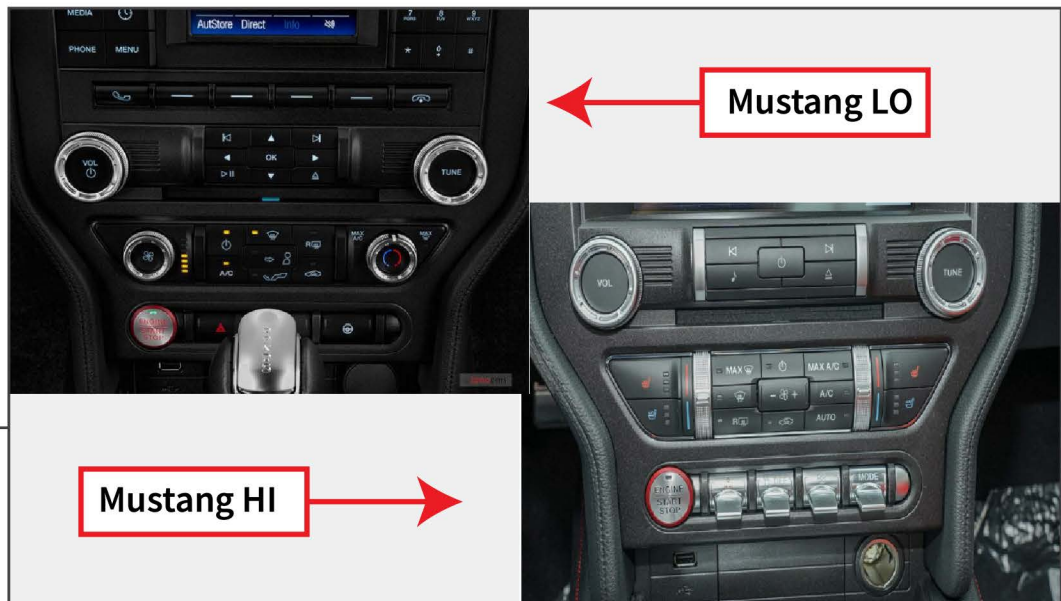
STEP 11



Transfer the yellow/orange panel clips from the factory dash panel onto the new display. Then, install the navigation head unit into the vehicle re-using (4) 7mm screws. Re-assemble the vehicle following steps 1-4 in reverse order.

Installation is now complete.

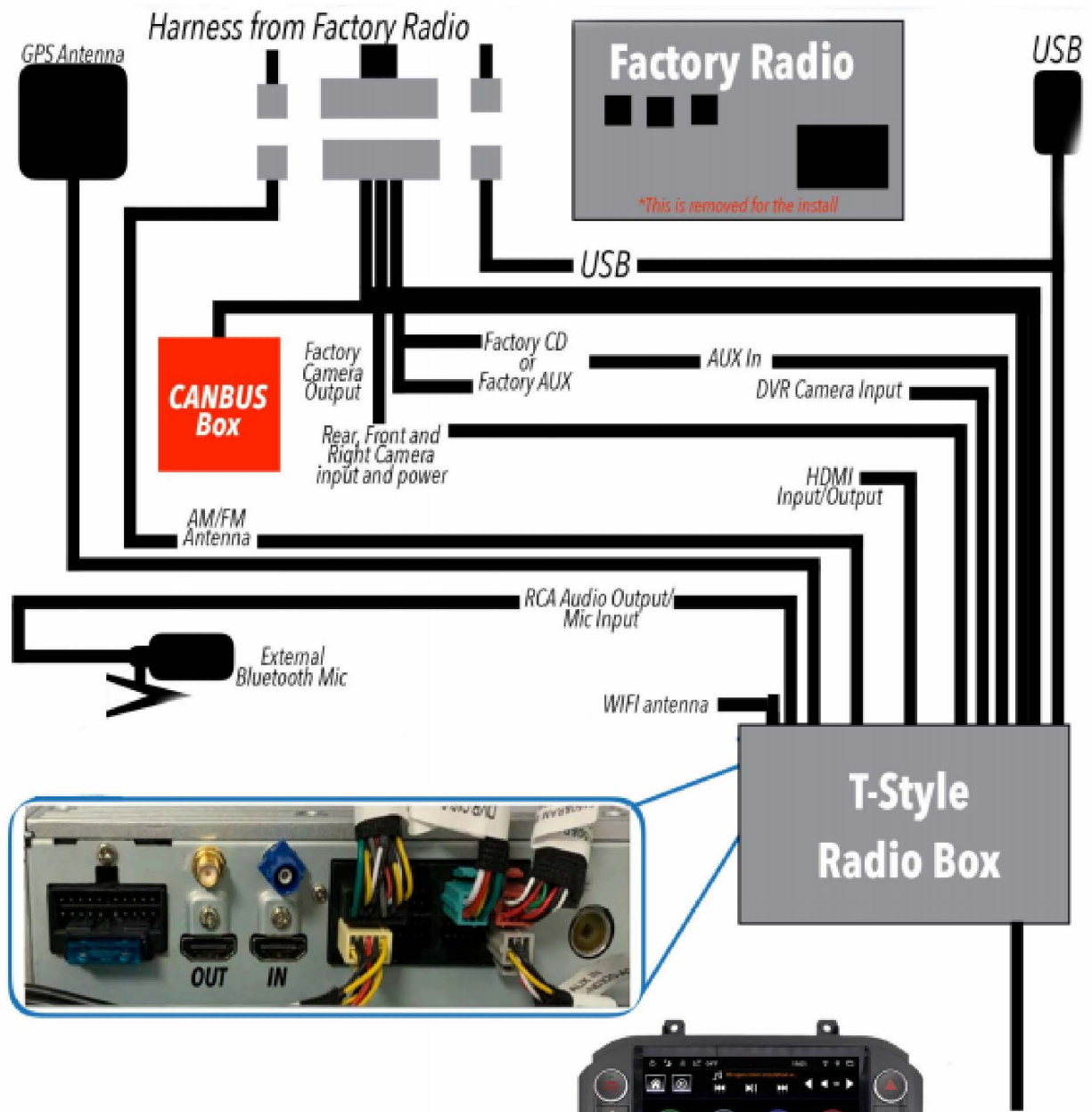
STEP 12 (HVAC NOTE)



Identify the vehicle's HVAC unit, see photo above. Once the navigation unit is installed, use the directory below to select the vehicle HVAC system to ensure proper HVAC function.

Settings > System > Setting Guide > Car Model/AC > Select Vehicle & HVAC Type (Mustang LO/Mustang HI) > Select OK on bottom left of screen > Select back arrow > Select "Save" > Restart vehicle and radio.

Manual A/C Vehicles: Mustang LO
Automatic A/C Vehicles: Mustang HI



****Your T Style screen will mount into the factory**
dash bezel using the same screws that mounted
the factory climate control**

**Plug the factory climate
control plugs into the
T-Style dash panel.**

Use required adapter if necessary



**The Radio
box is
attached to
the rear of
the T-Style
Dash piece.**