

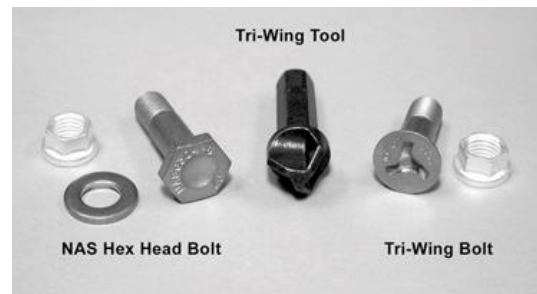


## ERADISPEED REPLACEMENT INSTRUCTIONS

Eventually, everyone needs to replace the rotor on a two-piece system. The following directions outline the procedure for installing a new rotor onto the aluminum hat.

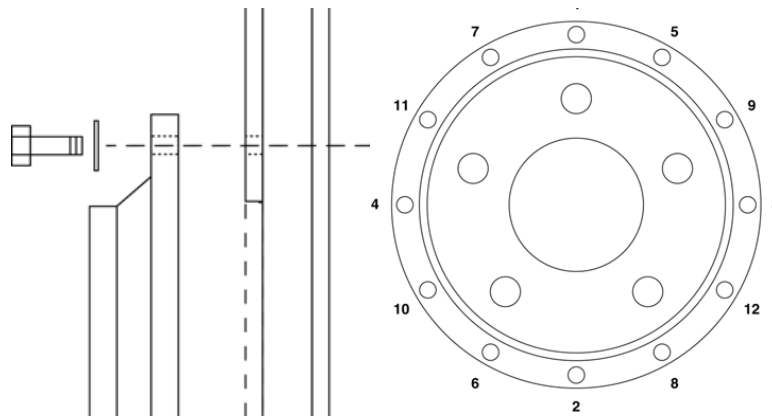
First, remove the old rotor by removing the hat bolts. Your application may have either (10) or (12) 1/4" NAS stainless steel hex head or Tri-Wing bolts.

The Tri-Wing® bolts will require a special tool (Baer Part # NAS4005D4-6) while the hex head bolts require a 7/16" wrench or socket and the stainless mechanical lock nuts require a 5/16" tool. Note: Although the NAS mechanical lock nuts are reusable a second time, and theoretically more, Baer recommends replacement after two uses. These are available on sets of (10) or (12), Baer Part #s 10NAS-1 and 12NAS-1 respectively.



Inspect the mating surfaces of both the hat and new rotor. Ensure the mating surfaces are clean and free of burrs and bits of material. Irregularities can cause run-out, pedal pulsing, and possibly overheating. Place the hat next to the new rotor. Push (1) bolt and washer through the hat and rotor. Install the next bolt and washer diametrically across the hat. Next, install bolts in a criss-cross pattern, just as you would install the lugs on a wheel.

When all the bolts are in the hat and rotor, install the nuts on the inside of the rotor. Snug them down in a criss-cross pattern. The idea is to seat all the bolts before final torque. These bolts are a precision fit. You must take care to ensure that all the bolts are seated correctly. When the bolts are seated and snugged, recheck that the hat is flush with the rotor. This is very important with two-piece rotor designs.



Torque the bolts in a criss-cross pattern as shown: (10) or (12) 1/4" bolts torque to 10-12 ft. lbs.

After installing the new rotor on the hat, you are ready to reassemble the brake system. During assembly, check that the new rotor is centered between the caliper pads. There should be at least .010" between a rotor face and its corresponding pad (if the pad is new). Installation of the new rotor is not complete until you have seasoned the rotors as detailed in the Bedding Instructions shipped with the original kit.