



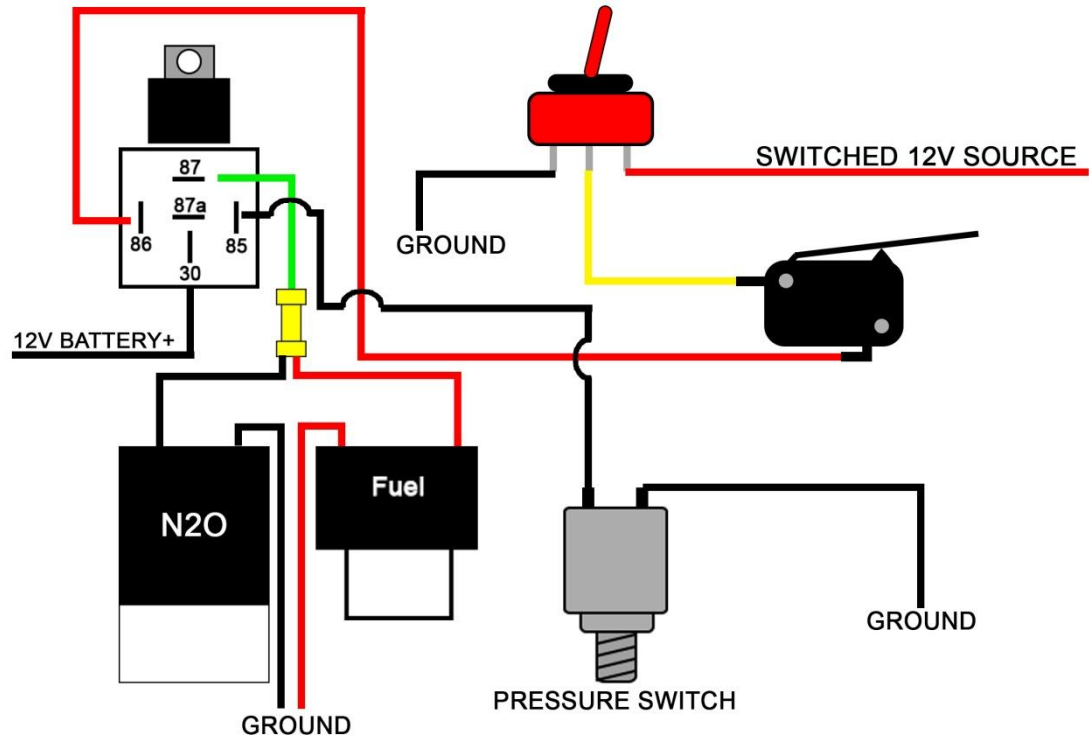
Nitrous Pressure Switch

Adjustable Bottle Pressure Switch

Part # 00-60002

INSTALLATION INSTRUCTIONS

The Nitrous Outlet Adjustable Nitrous Pressure Safety Switch is adjustable from 750-1200 PSI and helps your systems bottle heater maintain a constant pressure. To set the switch, tighten the set screw to increase pressure and loosen to decrease pressure. Only make adjustments of 1 turn at a time giving the bottle at least 10 minutes to stabilize between adjustments. One full turn will adjust the pressure by approximately 150 PSI. You will need a gauge in one of the puch ports of the bottle, or an inline manifold close to the bottle to accurately read your bottle pressure and set the switch.



WWW.NITROUSOUTLET.COM

IMPORTANT—All appropriate safety equipment (e.i., gloves, tools) must be used during the installation of this product(s). Nitro Dave's LLC accepts no responsibility for injuries resulting in the installation of any product(s).